



FREEZEPACK™ OVAL



OVAL CLEAR AND FREEZABLE CONTAINER

A freezable 32oz container that offers excellent clarity without compromising on cold impact resistance. Ideal to showcase frozen treats!

KEY FEATURES AND BENEFITS

- Freezable, high impact resistant polypropylene
- Super clear container for added consumer appeal
- Modern design
- Photo quality IML graphics
- IML available on container and lid

CERTIFICATIONS

The raw materials used are tested according to ASTM standards for polymers, are approved for food contact and meet FDA (Food and Drug Administration, USA) and HPB (Health Protection Branch, Canada) regulations.



IMS

MATERIAL

Containers, lids and IML labels are made of 100% recyclable polypropylene (PP).



DECORATION AVAILABLE

- **Container:**
3 sided IML diaper label
- **Lid:**
Partial IML label

MINIMUM ORDERS INFORMATION

For details on minimum order quantities or for any other additional information, please contact IPL customer care at 1-800-647-0602 or visit our web site at www.ipl-plastics.com.

COLOR CODE

BASE COLORS	STANDARD COLORS	OTHER COLORS
Natural 000	Black 099	Available upon request
White 001	Yellow 012	
Clear 002	Orange 021	
	Red 485	
	Green 377	
	Blue 293	



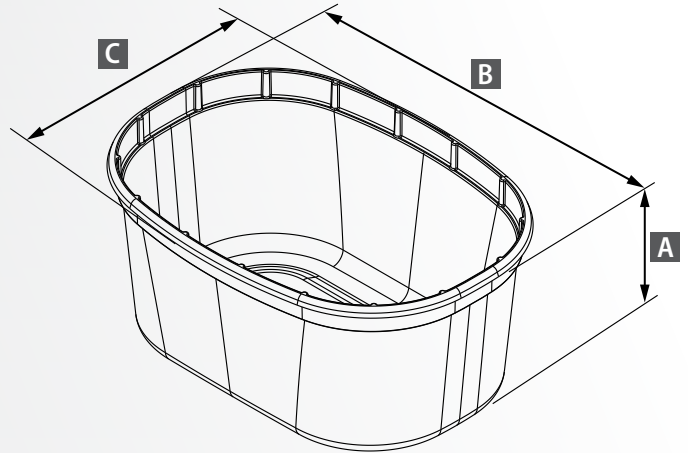
Our containers are 100% recyclable because at IPL, we care about the environment.





CONTAINERS

PRODUCT CODE	MODEL	CAPACITY UNDER LID		APPROX. WEIGHT		A OVERALL HEIGHT		B OVERALL LENGTH		C OVERALL WIDTH		ITEMS PER BOX	BOXES PER PALLET	ITEMS PER PALLET
		US fl. oz.	ml	oz.	g	in.	mm	in.	mm	in.	mm			
21187	32 oz. / 1000 ml	35	1045	1.20	34.06	3.060	77.72	6.946	176.43	4.976	126.39	288	20	5,760



LID

PRODUCT CODE	MODEL - ASSOCIATED CONTAINERS	APPROX. WEIGHT		OVERALL HEIGHT		OVERALL LENGTH		OVERALL WIDTH		ITEMS PER BOX	BOXES PER PALLET	ITEMS PER PALLET
		oz.	g	in.	mm	in.	mm	in.	mm			
20187	32 oz. / 1000 ml	0.64	18.06	0.528	13.36	7.142	181.41	5.171	131.34	462	30	13,860

RECOMMENDATIONS

Handling conditions vary from customer to customer. We recommend validating your processes (filling, conveying, warehousing and any others that might affect the purchased part) prior to use. Product usage temperature is between -9.4°F (-23°C) and 179.6°F (82°C) depending on resin grade.

WARRANTIES

- Some chemicals can affect the integrity of the product. Any product requiring a Safety Data Sheet (SDS) has to be submitted and approved by IPL. If buyer fails to adhere to this clause, the related product guarantees will be void.
- Specifications may vary slightly over time. Please contact your IPL representative to ensure you have the most recent information.
- The information presented herein was prepared at IPL Inc. by qualified technical personnel. To IPL's knowledge, it is true and accurate. However, the information and recommendations are furnished for these products with the understanding that the purchaser or user will independently determine that the product is suitable for the intended use, and that such use, complies with all applicable laws and regulations. The data represents typical values submitted only for the user's information and consideration and does not constitute a warranty of any kind.

