



FREEZE PACK™ ROUND



HIGH-CLARITY FROZEN FOOD CONTAINERS!

A 2 size family of freezable clear polypropylene containers. With a standard 314 round opening that facilitates transition from other pint-size containers.

CERTIFICATIONS

The raw materials used are tested according to ASTM standards for polymers, are approved for food contact and meet FDA (Food and Drug Administration, USA) and HPB (Health Protection Branch, Canada) regulations.



MINIMUM ORDERS AND INFORMATION

For details on minimum order quantities or for any other additional information, please contact IPL customer care at 1-800-647-0602 or visit our web site at www.ipl-plastics.com.

KEY FEATURES AND BENEFITS

- Clear containers for added consumer appeal
- Freezable polypropylene with high impact resistance
- Film-sealable containers
- Easy filling line transition from other pint products
- Photo quality IML graphic
- Logo engraving possible on the lid

MATERIAL

Containers, lids and IML labels are made of 100% recyclable polypropylene (PP).



DECORATION

- **Container:**
16oz: Full wrap IML
14oz: 3-face diaper
- **Lid:**
Full panel IML (or logo engraving)

COLOR CODE

BASE COLORS	STANDARD COLORS	OTHER COLORS
Natural 000	Black 099	Available upon request
White 001	Yellow 012	
Clear 002	Orange 021	
	Red 485	
	Green 377	
	Blue 293	



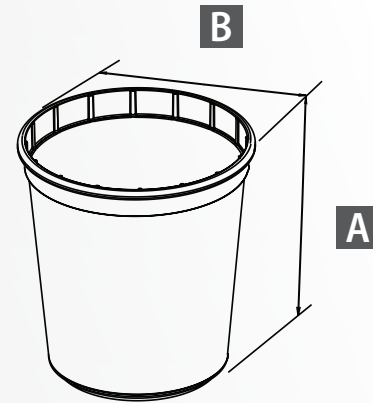
Our containers are 100% recyclable because at IPL, we care about the environment.





CONTAINER

PRODUCT CODE	MODEL / NOMINAL VOLUME *	OVERFLOW CAPACITY		APPROX. WEIGHT		A OVERALL HEIGHT		B OVERALL DIAMETER		ITEMS PER BOX	BOXES PER PALLET	ITEMS PER PALLET
		US fl. oz.	ml	oz.	g	in.	mm	in.	mm			
24442	14oz / 420ml	14.9	440	0.55	15.7	3.68	93.47	3.78	96.01	744	25	18,600
25042	16oz / 500ml	16.95	501	0.62	17.7	4.06	103.5	3.78	96.01	720	25	18,000



LIDS

PRODUCT CODE	MODEL - ASSOCIATED CONTAINERS	APPROX. WEIGHT		HEIGHT		DIAMETER		ITEMS PER BOX	BOXES PER PALLET	ITEMS PER PALLET
		oz.	g	in.	mm	in.	mm			
20143	Fits both sizes	0.24	6.90	0.51	15.49	3.82	97.09	720	25	18,000

RECOMMENDATIONS

Handling conditions vary from customer to customer. We recommend validating your processes (filling, conveying, warehousing and any others that might affect the purchased part) prior to use. Product usage temperature is between -9.4°F (-23°C) and 179.6°F (82°C) depending on resin grade.

WARRANTIES

- Some chemicals can affect the integrity of the products. Any product requiring a Safety Data Sheet (SDS) has to be submitted and approved by IPL. If buyer fails to adhere to this clause, the related product guarantees will be void.
- Specifications may vary slightly over time. Please contact your IPL representative to ensure you have the most recent information.
- The information presented herein was prepared at IPL Inc. by qualified technical personnel. To IPL's knowledge, it is true and accurate. However, the information and recommendations are furnished for these products with the understanding that the purchaser or user will independently determine that the product is suitable for the intended use, and that such use, complies with all applicable laws and regulations. The data represents typical values submitted only for the user's information and consideration and does not constitute a warranty of any kind.

