



# SEALPACK™ ROUND TALL



## PACKAGING THAT STANDS OUT

Designed to differentiate your brand from the competition while protecting the freshness and unique taste of your product. Ideal for deli and dairy products.

### KEY FEATURES AND BENEFITS

- Film seal ready that withstand high pressure pasteurization
- Easy transition from existing 409 products
- One lid fits all (409 opening)
- IML decoration and dry offset
- Microwave and dishwasher safe

### CERTIFICATIONS

The raw materials used are tested according to ASTM standards for polymers, are approved for food contact and meet FDA (Food and Drug Administration, USA) and HPB (Health Protection Branch, Canada) regulations.



### MATERIAL

Containers, lids and IML labels are made of 100% recyclable polypropylene (PP).



### DECORATION AVAILABLE

- **Container**
  - Full wrap IML
  - Dry offset (all except 14oz., 24oz. and 32oz.)
- **Bottom**
  - Bottom IML (all except 24oz. and 32oz.)
- **Lid**
  - Full IML and Dry offset

### MINIMUM ORDERS INFORMATION

For details on minimum order quantities or for any other additional information, please contact IPL customer care at 1-800-647-0602 or visit our web site at [www.ipl-plastics.com](http://www.ipl-plastics.com).

### COLOR CODE

BASE COLORS	STANDARD COLORS	OTHER COLORS
Natural 000	Black 099	Available upon request
White 001	Yellow 012	
Clear 002	Orange 021	
	Red 485	
	Green 377	
	Blue 293	



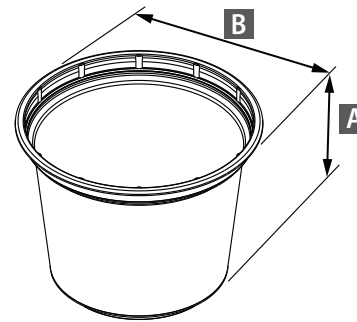
Our containers are 100% recyclable because at IPL, we care about the environment.





### CONTAINERS

PRODUCT CODE	MODEL / NOMINAL*	OVERFLOW VOLUME		APPROX. WEIGHT		A OVERALL HEIGHT		B OVERALL DIAMETER		ITEMS PER BOX	BOXES PER PALLET	ITEMS PER PALLET
		US fl. oz.	ml	oz.	g	in.	mm	in.	mm			
22520	8 oz. / 250 ml	11.18	330.74	0.35	10	1.94	49.48	4.59	116.64	1,020	20	20,400
23120	10 oz. / 310 ml	13.18	389.86	0.41	11.5	2.35	59.89	4.59	116.64	1,000	20	20,000
23520	12 oz. / 350 ml	15.90	470.95	0.44	12.6	2.71	68.99	4.59	116.64	960	20	19,200
24020	14 oz. / 425 ml	16.91	500.05	0.47	13.3	2.91	74.04	4.59	116.64	980	20	19,600
25020	16 oz. / 500 ml	19.59	579.22	0.56	15.9	3.48	88.54	4.59	116.64	920	20	18,400
27520	24 oz. / 750 ml	26.22	775.30	0.73	20.7	4.02	102.11	4.59	116.64	620	20	12,800
21120	32 oz. / 1 L	33.95	1 004.04	1.06	30.1	5.28	134.16	4.59	116.64	380	20	7,600



### LID

PRODUCT CODE	MODEL - ASSOCIATED CONTAINERS	APPROX. WEIGHT		HEIGHT		DIAMETER		ITEMS PER BOX	BOXES PER PALLET	ITEMS PER PALLET
		oz.	g	in.	mm	in.	mm			
20120	Fits all sizes of container	0.3	7.6	0.29	7.37	4.63	117.6	1,140	24	27,360
20121	Lid with Hinge / pour tab - Fits all sizes of container	0.32	9.0	0.38	9.65	4.63	117.6	1,005	24	24,120

### RECOMMENDATIONS

Handling conditions vary from customer to customer. We recommend validating your processes (filling, conveying, warehousing and any others that might affect the purchased part) prior to use. Product usage temperature is between -9.4°F (-23°C) and 179.6°F (82°C) depending on resin grade.

### WARRANTIES

- Some chemicals can affect the integrity of the product. Any product requiring a Safety Data Sheet (SDS) has to be submitted and approved by IPL. If buyer fails to adhere to this clause, the related product guarantees will be void.
- Specifications may vary slightly over time. Please contact your IPL representative to ensure you have the most recent information.
- The information presented herein was prepared at IPL Inc. by qualified technical personnel. To IPL's knowledge, it is true and accurate. However, the information and recommendations are furnished for these products with the understanding that the purchaser or user will independently determine that the product is suitable for the intended use, and that such use, complies with all applicable laws and regulations. The data represents typical values submitted only for the user's information and consideration and does not constitute a warranty of any kind.

