



SNAPPACK™

ROUND SINGLE SERVE



FOOD SAFETY AND ON THE GO CONVENIENCE COMBINED

A 250ml container with non-detachable break tab. Ideal for individual servings.

KEY FEATURES AND BENEFITS

- Clear lid for better shelf appeal
- Non-detachable break tab, sturdy yet easy to use
- Hot filling capable
- Freezable
- Photo quality IML graphics on container and lid

CERTIFICATIONS

The raw materials used are tested according to ASTM standards for polymers, are approved for food contact and meet FDA (Food and Drug Administration, USA) and HPB (Health Protection Branch, Canada) regulations.



IMS

MATERIAL

Containers, lids and IML labels are made of 100% recyclable polypropylene (PP).



DECORATION

- **Container :**
 - Full wrap IML
 - Dry Offset
- **Lid:**
 - Full or partial IML
 - Dry Offset

MINIMUM ORDERS AND INFORMATION

For details on minimum order quantities or for any other additional information, please contact IPL customer care at 1-800-647-0602 or visit our web site at www.ipl-plastics.com.

COLOR CODE

BASE COLORS	STANDARD COLORS	OTHER COLORS
Natural 000	Black 099	Available upon request
White 001	Yellow 012	
Clear 002*	Orange 021	
* Lids only	Red 485	
	Green 377	
	Blue 293	



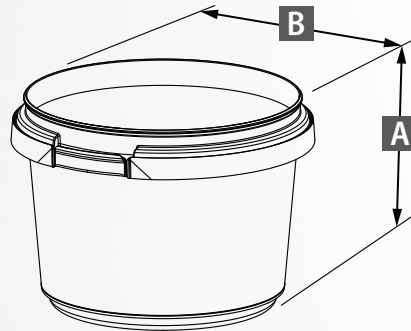
Our containers are 100% recyclable because at IPL, we care about the environment.



CONTAINER

PRODUCT CODE	MODEL / NOMINAL VOLUME *	UNDER LID CAPACITY		APPROX. WEIGHT		A OVERALL HEIGHT		B OVERALL DIAMETER		ITEMS PER BOX	BOXES PER PALLET	ITEMS PER PALLET
		US fl.oz.	ml	oz.	g	in.	mm	in.	mm			
22509	8 oz. / 250ml	8.57	253.5	0.42	11.8	2.51	63.75	3.54	89.9	500*	20*	10,000*

* Combo Pack : containers and lids in the same box.



LID

PRODUCT CODE	MODEL - ASSOCIATED CONTAINERS	APPROX. WEIGHT		HEIGHT		DIAMETER		ITEMS PER BOX	BOXES PER PALLET	ITEMS PER PALLET
		oz.	g	in.	mm	in.	mm			
20009	8 oz. / 250ml	0.15	4.3	0.33	8.38	3.465	88	see container table		

RECOMMENDATIONS

Handling conditions vary from customer to customer. We recommend validating your processes (filling, conveying, warehousing and any others that might affect the purchased part) prior to use. Product usage temperature is between -9.4°F (-23°C) and 179.6°F (82°C) depending on resin grade.

WARRANTIES

- Some chemicals can affect the integrity of the product. Any product requiring a Safety Data Sheet (SDS) has to be submitted and approved by IPL. If buyer fails to adhere to this clause, the related product guarantees will be void.
- Specifications may vary slightly over time. Please contact your IPL representative to ensure you have the most recent information.
- The information presented herein was prepared at IPL Inc. by qualified technical personnel. To IPL's knowledge, it is true and accurate. However, the information and recommendations are furnished for these products with the understanding that the purchaser or user will independently determine that the product is suitable for the intended use, and that such use, complies with all applicable laws and regulations. The data represents typical values submitted only for the user's information and consideration and does not constitute a warranty of any kind.

