



# TAMPER-EVIDENT<sup>TM</sup> RECTANGLE



## SAFE AND STURDY AS A PRIORITY

Feature our tamper-evident security system and a space saver shape to simplify your operations.

### KEY FEATURES AND BENEFITS

- Tamper-evident security system
- Easy to open and use
- Hot filling capable
- Large decoration surface
- Photo quality IML graphics
- Microwave and dishwasher safe

### CERTIFICATIONS

The raw materials used are tested according to ASTM standards for polymers, are approved for food contact and meet FDA (Food and Drug Administration, USA) and HPB (Health Protection Branch, Canada) regulations.



### MATERIAL

Containers, lids and IML labels are made of 100% recyclable polypropylene (PP).



### DECORATION AVAILABLE

- **Container:**
  - Dry offset for all sizes
- **Bottom:**
  - Dry offset for all sizes
- **Lid:**
  - Full IML
  - Dry offset

### MINIMUM ORDERS INFORMATION

For details on minimum order quantities or for any other additional information, please contact IPL customer care at 1-800-647-0602 or visit our web site at [www.ipl-plastics.com](http://www.ipl-plastics.com).

### COLOR CODE

BASE COLORS	STANDARD COLORS	OTHER COLORS
Natural 000	Black 099	Available upon request
White 001	Yellow 012	
Clear 002	Orange 021	
	Red 485	
	Green 377	
	Blue 293	



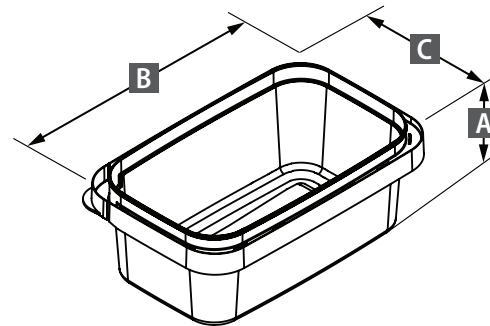
Our containers are 100% recyclable because at IPL, we care about the environment.





### CONTAINERS

PRODUCT CODE	MODEL / NOMINAL*	UNDER LID CAPACITY		APPROX. WEIGHT		A OVERALL HEIGHT		B OVERALL LENGTH		C OVERALL WIDTH		ITEMS PER BOX	BOXES PER PALLET	ITEMS PER PALLET
		US fl. oz.	ml	oz.	g	in.	mm	in.	mm	in.	mm			
22585	8 oz. / 250 ml	8.79	260	0.72	20.3	1.62	41.27	5.81	147.65	3.625	92.07	600	20	12,000
22585	8 oz. / 250 ml with hook	8.79	260	0.73	20.7	1.62	41.27	6.31	160.30	3.625	92.07	540	20	10,800
23585	12 oz. / 350 ml	13.19	390	0.83	23.5	2.18	55.57	5.81	147.65	3.625	92.07	560	20	11,200
23585	12 oz. / 350 ml with hook	13.19	390	0.84	23.9	2.18	55.57	6.31	160.30	3.625	92.07	504	20	10,080
25085	16 oz. / 500 ml	17.92	530	0.88	25	2.68	68.27	5.81	147.65	3.625	92.07	540	20	10,800



### LIDS

PRODUCT CODE	MODEL - ASSOCIATED CONTAINERS	APPROX. WEIGHT		HEIGHT		LENGTH		WIDTH		ITEMS PER BOX	BOXES PER PALLET	ITEMS PER PALLET
		oz.	g	in.	mm	in.	mm	in.	mm			
20085	Fits all sizes of container	0.34	9.5	0.313	7.95	5.625	142.87	3.5	88.9	1,260	45	56,700

### RECOMMENDATIONS

Handling conditions vary from customer to customer. We recommend validating your processes (filling, conveying, warehousing and any others that might affect the purchased part) prior to use. Product usage temperature is between -9.4°F (-23°C) and 179.6°F (82°C) depending on resin grade.

### WARRANTIES

- Some chemicals can affect the integrity of the product. Any product requiring a Safety Data Sheet (SDS) has to be submitted and approved by IPL. If buyer fails to adhere to this clause, the related product guarantees will be void.
- Specifications may vary slightly over time. Please contact your IPL representative to ensure you have the most recent information.
- The information presented herein was prepared at IPL Inc. by qualified technical personnel. To IPL's knowledge, it is true and accurate. However, the information and recommendations are furnished for these products with the understanding that the purchaser or user will independently determine that the product is suitable for the intended use, and that such use, complies with all applicable laws and regulations. The data represents typical values submitted only for the user's information and consideration and does not constitute a warranty of any kind.

