



TAMPER-EVIDENTTM RECTANGLE



SAFE AND STURDY AS A PRIORITY

Feature our tamper-evident security system and a space saver shape to simplify your operations.

KEY FEATURES AND BENEFITS

- Tamper-evident security system
- Easy to open and use
- Hot filling capable
- Large decoration surface
- Photo quality IML graphics
- Microwave and dishwasher safe

CERTIFICATIONS

The raw materials used are tested according to ASTM standards for polymers, are approved for food contact and meet FDA (Food and Drug Administration, USA) and HPB (Health Protection Branch, Canada) regulations.



MATERIAL

Containers, lids and IML labels are made of 100% recyclable polypropylene (PP).



DECORATION AVAILABLE

- **Container:**
 - Dry offset for all sizes
- **Bottom:**
 - Dry offset for all sizes
- **Lid:**
 - Full IML
 - Dry offset

MINIMUM ORDERS INFORMATION

For details on minimum order quantities or for any other additional information, please contact IPL customer care at 1-800-647-0602 or visit our web site at www.ipl-plastics.com.

COLOR CODE

| BASE COLORS | STANDARD COLORS | OTHER COLORS |
|-------------|-----------------|------------------------|
| Natural 000 | Black 099 | Available upon request |
| White 001 | Yellow 012 | |
| Clear 002 | Orange 021 | |
| | Red 485 | |
| | Green 377 | |
| | Blue 293 | |



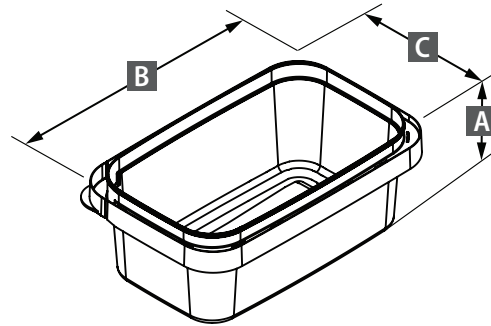
Our containers are 100% recyclable because at IPL, we care about the environment.





CONTAINERS

| PRODUCT CODE | MODEL / NOMINAL* | UNDER LID CAPACITY | | APPROX. WEIGHT | | A OVERALL HEIGHT | | B OVERALL LENGTH | | C OVERALL WIDTH | | ITEMS PER BOX | BOXES PER PALLET | ITEMS PER PALLET |
|--------------|---------------------------|--------------------|-----|----------------|------|------------------|-------|------------------|--------|-----------------|-------|---------------|------------------|------------------|
| | | US fl. oz. | ml | oz. | g | in. | mm | in. | mm | in. | mm | | | |
| 22585 | 8 oz. / 250 ml | 8.79 | 260 | 0.72 | 20.3 | 1.62 | 41.27 | 5.81 | 147.65 | 3.625 | 92.07 | 600 | 20 | 12,000 |
| 22585 | 8 oz. / 250 ml with hook | 8.79 | 260 | 0.73 | 20.7 | 1.62 | 41.27 | 6.31 | 160.30 | 3.625 | 92.07 | 540 | 20 | 10,800 |
| 23585 | 12 oz. / 350 ml | 13.19 | 390 | 0.83 | 23.5 | 2.18 | 55.57 | 5.81 | 147.65 | 3.625 | 92.07 | 560 | 20 | 11,200 |
| 23585 | 12 oz. / 350 ml with hook | 13.19 | 390 | 0.84 | 23.9 | 2.18 | 55.57 | 6.31 | 160.30 | 3.625 | 92.07 | 504 | 20 | 10,080 |
| 25085 | 16 oz. / 500 ml | 17.92 | 530 | 0.88 | 25 | 2.68 | 68.27 | 5.81 | 147.65 | 3.625 | 92.07 | 540 | 20 | 10,800 |



LIDS

| PRODUCT CODE | MODEL - ASSOCIATED CONTAINERS | APPROX. WEIGHT | | HEIGHT | | LENGTH | | WIDTH | | ITEMS PER BOX | BOXES PER PALLET | ITEMS PER PALLET |
|--------------|-------------------------------|----------------|-----|--------|------|--------|--------|-------|------|---------------|------------------|------------------|
| | | oz. | g | in. | mm | in. | mm | in. | mm | | | |
| 20085 | Fits all sizes of container | 0.34 | 9.5 | 0.313 | 7.95 | 5.625 | 142.87 | 3.5 | 88.9 | 1,260 | 45 | 56,700 |

RECOMMENDATIONS

Handling conditions vary from customer to customer. We recommend validating your processes (filling, conveying, warehousing and any others that might affect the purchased part) prior to use. Product usage temperature is between -9.4°F (-23°C) and 179.6°F (82°C) depending on resin grade.

WARRANTIES

- Some chemicals can affect the integrity of the product. Any product requiring a Safety Data Sheet (SDS) has to be submitted and approved by IPL. If buyer fails to adhere to this clause, the related product guarantees will be void.
- Specifications may vary slightly over time. Please contact your IPL representative to ensure you have the most recent information.
- The information presented herein was prepared at IPL Inc. by qualified technical personnel. To IPL's knowledge, it is true and accurate. However, the information and recommendations are furnished for these products with the understanding that the purchaser or user will independently determine that the product is suitable for the intended use, and that such use, complies with all applicable laws and regulations. The data represents typical values submitted only for the user's information and consideration and does not constitute a warranty of any kind.

