



Consumer Packaging Solutions

SEALPACK SERIES
TAMPER-EVIDENT SERIES
TRUSTPACK™
FREEZEPACK SERIES
LIDS & OVERCAPS

FROM 5 OZ. (150 ML)
TO 1 US GAL. (3.78L)



INJECTION MOLDED THIN WALL PACKAGING

IPL ensures your products are protected and stand out from the crowd while delivering on your sustainability commitments.



Table of Contents

Products

SealPack	3
Round Standard	3
Round Select	4
Round Tall	5
View 410	6
510	7
514	8
Square	9
SnapPack	10
Square	10
Rectangle	11
Round	12
Tamper-Evident	13
Square	13
Rectangle	14
Round	15
24 Series	16
TrustPack™	17
FreezePack	18
Rectangle T-E	18
Round	19
Oval	20
Square 1 Gallon	21
Lids & Overcaps	22
About	23

SealPack Round Standard



A CLASSIC LOOK WITH A CUSTOM FLARE

A complete family of film-sealable containers offering eight sizes with 95mm, 302, 314 and 409 diameters and designed for an easy transition in your existing filling line.

Features

- Film-sealable
- Tamper-evident recessed lid available for 409 sizes
- Easy transition from other existing products
- Filling line support under flange
- Photo-quality IML decoration
- Dry offset print decoration
- Microwave and dishwasher safe
- 100% recyclable polypropylene

CONTAINERS

Product Code	Model	Decoration Options†		Brimful Capacity		Approx. Weight		Overall Height ^A		Overall Diameter ^B		Items Per Box	Boxes Per Pallet	Items Per Pallet
		IML	Offset	US fl.oz.	ml	oz.	g	in.	mm	in.	mm			
21506	5.3 oz. / 170 ml (95 mm no lid)	✓ W		7.78	230	0.27	7.5	2.19	55.6	3.73	94.7	1,700	24	40,800
22223	6 oz. / 200 ml (302 no lid)	✓ W	✓ W	7.46	220	0.24	6.9	2.83	72.0	3.12	79.3	2,070	24	49,680
22525	8 oz. / 250 ml (314)	✓ W	✓ W	9.37	277	0.30	8.4	2.14	54.4	3.78	96.1	1,000	36	36,000
22526	8 oz. / 250 ml	✓ W	✓ W	11.53	341	0.35	9.9	1.67	42.4	4.57	116.1	1,500	16	24,000
23526	12 oz. / 350 ml	✓ W	✓ W	16.30	482	0.43	12.2	2.40	61.0	4.57	116.1	1,000	20	20,000
25026	16 oz. / 500 ml	✓ W	✓ W	19.78	585	0.53	15.0	3.03	77.0	4.57	116.1	1,000	20	20,000
27526	24 oz. / 750 ml	✓ W	✓ W	27.90	825	0.78	22.1	4.43	112.5	4.57	116.1	500	24	12,000
21126	32 oz. / 1 L	✓ W	✓ W	35.61	1,053	0.99	28.2	5.22	132.6	4.57	116.1	420	16	6,720

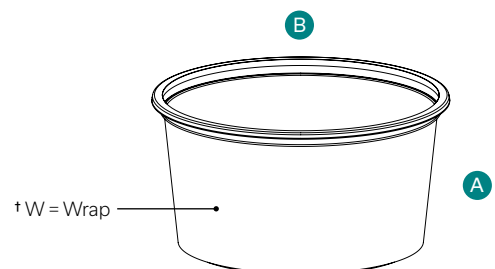
LIDS

Product Code	Associated Containers Code	Decoration Options		Approx. Weight		Height ^A		Diameter ^B		Items Per Box	Boxes Per Pallet	Items Per Pallet
		IML	Offset	oz.	g	in.	mm	in.	mm			
20125	22525	✓	✓	0.14	3.9	0.29	7.4	3.82	96.9	2,250	16	36,000
20127	22526, 23526, 25026, 27526, 21126		✓	0.21	6.0	0.30	7.6	4.59	116.7	1,000	20	20,000
20126	22526, 23526, 25026, 27526, 21126	✓		0.22	6.2	0.29	7.5	4.60	116.8	1,000	24	24,000
20129	TE RECESSED 22526, 23526, 25026, 27526, 21126	✓		0.36	10.13	0.35	8.8	4.63	117.5	1,100	20	22,000

Color Options

Base Colors	Other Colors
Natural	Available on request
White	
Clear**	

** specific sizes only



SealPack Round Select



A MODERN TAKE ON AN ALL TIME CLASSIC

Seven sizes of 409 round film-sealable containers with a modern and attractive design. Offers a wide billboard for both photo quality IML graphics and offset printing decoration.

Features

- Film-sealable
- Easy transition from other 409 opening
- Filling line support under shoulder
- Photo-quality IML decoration
- Dry offset print decoration
- Modern Design
- Microwave and dishwasher safe
- 100% recyclable polypropylene

CONTAINERS

Product Code	Model*	Decoration Options†		Brimful Capacity		Approx. Weight		Overall Height	A	Overall Diameter		Items Per Box	Boxes Per Pallet	Items Per Pallet
		IML	Offset	US fl.oz.	ml	oz.	g			in.	mm			
22523	10 oz. / 300 ml (250 g)	✓ W	✓ W	12.51	370	0.43	12.2	1.89	48.0	4.56	115.8	880	20	17,600
25023	18 oz. / 540 ml (500 g)	✓ W	✓ W	21.13	625	0.57	16.2	3.23	82.0	4.56	115.8	840	20	16,800
25123	18 oz. / 540 ml (500 g)	✓ W	✓ W	21.03	622	0.53	15.0	3.36	85.3	4.56	115.8	820	20	16,400
26523	26 oz. / 780 ml (650 g)	✓ W	✓ W	29.25	865	0.82	23.4	5.05	128.2	4.56	115.8	525	25	13,125
27423	27 oz. / 800 ml (750 g)		✓ W	29.65	877	0.90	25.6	4.82	122.4	4.56	115.8	468	24	11,232
27523	28 oz. / 840 ml (750 g)	✓ W	✓ W	31.38	928	0.88	25.0	5.17	131.4	4.56	115.8	500	24	12,000
21223	34 oz. / 1 L (1kg)		✓ W	37.80	1,118	1.14	32.3	5.83	148.1	4.56	115.8	288	24	6,912

* Nominal gram capacity based on use for dairy

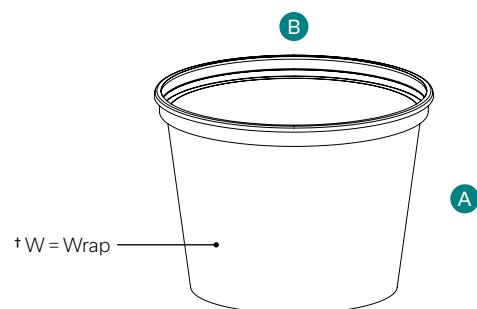
LIDS

Product Code	Associated Containers Code	Decoration Options		Approx. Weight		Height	A	Diameter		Items Per Box	Boxes Per Pallet	Items Per Pallet
		IML	Offset	oz.	g			in.	mm			
20123	Domed - All sizes of containers	✓	✓	0.27	7.6	0.46	11.6	4.6	116.7	1,050	24	25,200
20126	Flat - All sizes of containers	✓	✓	0.22	6.2	0.3	7.5	4.6	116.8	1,000	20	24,000

Color Options

Base Colors	Other Colors
Natural	Available on request
White	
Clear**	

** specific sizes only



SealPack Round Tall



PACKAGING THAT STANDS OUT

Designed to differentiate your brand from the competition while protecting the freshness and unique taste of your product. Ideal for deli and dairy products.

Features

- Film-sealable
- Optional hinged lid
- Easy transition from other existing products
- Withstands high pressure pasteurization*
- Photo-quality IML decoration
- Dry offset print decoration
- Microwave and dishwasher safe
- 100% recyclable polypropylene

CONTAINERS

Product Code	Model	Decoration Options†		Brimful Capacity		Approx. Weight		Overall Height	A	Overall Diameter		Items Per Box	Boxes Per Pallet	Items Per Pallet
		IML	Offset	US fl.oz.	ml	oz.	g			in.	mm			
22520	8 oz. / 250 ml	✓ W/B	✓ W	11.16	331	0.32	9.2	1.95	49.5	4.59	116.6	1,020	20	20,400
23120	10 oz. / 310 ml	✓ W/B	✓ W	13.19	390	0.39	11.1	2.36	59.8	4.59	116.6	1,000	20	20,000
23520	12 oz. / 350 ml	✓ W/B	✓ W	15.92	471	0.45	12.8	2.72	69.0	4.59	116.6	960	20	19,200
24020	14 oz. / 425 ml	✓ W/B		16.91	500	0.47	13.3	2.92	74.0	4.59	116.6	980	20	19,600
25020	16 oz. / 500 ml	✓ W/B	✓ W	19.58	579	0.53	15.1	3.49	88.5	4.59	116.6	920	20	18,400
27520	24 oz. / 750 ml	✓ W		26.21	775	0.74	20.9	4.02	102.1	4.59	116.6	600	20	12,000
21120	32 oz. / 1 L	✓ W		33.81	1,000	1.02	29.0	5.28	134.2	4.59	116.6	380	20	7,600

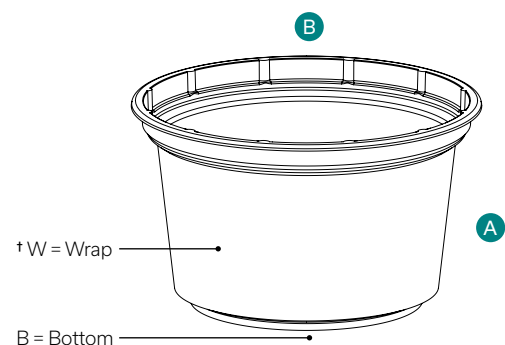
* Ask for our HPP Guide to know more about HPP use and limitations on this series

LIDS

Product Code	Associated Containers Code	Decoration Options		Approx. Weight		Height	A	Diameter		Items Per Box	Boxes Per Pallet	Items Per Pallet
		IML	Offset	oz.	g			in.	mm			
20120	All sizes of containers	✓	✓	0.26	7.4	0.29	7.4	4.63	117.6	1,140	24	27,360

Color Options

Base Colors	Other Colors
Natural	Available on request
White	
Clear	



SealPack View 410



NEW ADDITION TO THE ESTABLISHED SEALPACK FAMILY

An ideal packaging solution for specialty cheese, dairy, deli and other products. Its modern shape stands out from the competition while offering outstanding clarity to showcase your product.

Features

- 410 opening
- Film-sealable
- Versatile photo-quality IML decoration options
- Outstanding clarity to showcase products
- A modern and distinguishable round to square-shaped container
- Microwave and dishwasher safe
- 100% recyclable polypropylene

CONTAINERS

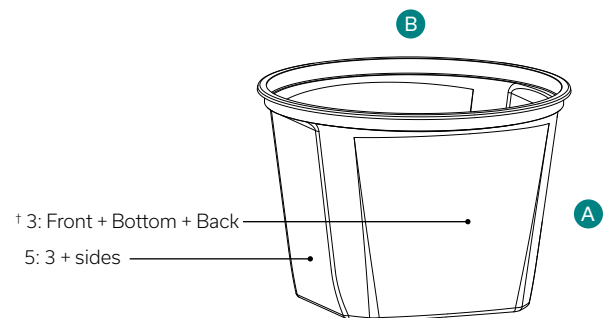
Product Code	Model	Decoration Options†		Under Lid Capacity		Approx. Weight		Overall Height	Overall Width		Items Per Box	Boxes Per Pallet	Items Per Pallet	
		IML	Offset	US fl.oz.	ml	oz.	g		in.	mm				in.
22566	8 oz. / 250 ml	✓	3/5	11	325	0.31	8.7	1.74	44.3	4.60	116.8	1080	24	25,920
23566	12 oz. / 350 ml	✓	3/5	14.7	435	0.38	10.9	2.49	63.1	4.60	116.8	1020	24	24,480
25066	16 oz. / 500 ml	✓	3/5	18.86	558	0.51	14.4	3.23	81.9	4.60	116.8	980	24	23,520
27566	24 oz. / 750 ml	✓	3/5	26	770	0.71	20.1	4.26	108.1	4.60	116.8	540	24	12,960

LIDS

Product Code	Associated Containers Code	Decoration Options		Approx. Weight		Height	Width		Items Per Box	Boxes Per Pallet	Items Per Pallet	
		IML	Offset	oz.	g		in.	mm				in.
20124	All sizes of containers	✓	✓	0.23	6.5	0.30	7.7	4.64	117.8	1,500	20	30,000

Color Options

Standard Colors	Other Colors
Natural	Available upon request
White	
Clear	



SealPack 510



Features

- Film-sealable
- Wide opening (510 diameter)
- Withstands high pressure pasteurization*
- Photo-quality IML decoration
- Offered in clear for maximum product showcase
- Microwave and dishwasher safe
- 100% recyclable polypropylene

WIDE OPENING CONTAINER WITH CLARITY

Round film-sealable container family, ideal for dips, hummus and salsa.

CONTAINERS

Product Code	Model	Decoration Options†		Brimful Capacity		Approx. Weight		Overall Height ^A		Overall Diameter ^B		Items Per Box	Boxes Per Pallet	Items Per Pallet
		IML	Offset	US fl.oz.	ml	oz.	g	in.	mm	in.	mm			
23510	12 oz. / 350 ml	✓	W	14.95	442	0.54	15.4	1.38	35.1	5.63	143.0	552	20	11,040
25010	16 oz. / 500 ml	✓	W	20.02	592	0.62	17.5	1.88	47.6	5.63	143.0	528	20	10,560
26510	20 oz. / 625 ml	✓	W	23.8	703	0.86	24.36	2.32	58.9	5.63	143.0	504	20	10,080
27510	24 oz. / 750 ml	✓	W/B	26.65	788	0.84	23.9	2.63	66.8	5.63	143.0	504	20	10,080

* Ask for our HPP Guide to know more about HPP use and limitations on this series

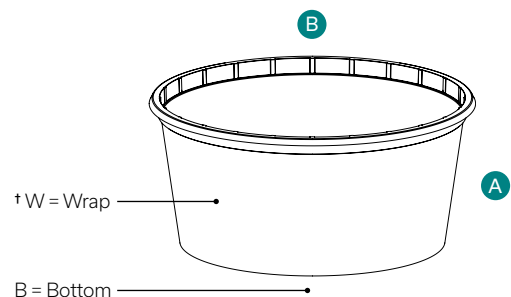
LID

Product Code	Associated Containers Code	Decoration Options		Approx. Weight		Height ^A		Diameter ^B		Items Per Box	Boxes Per Pallet	Items Per Pallet
		IML	Offset	oz.	g	in.	mm	in.	mm			
20110	All sizes of containers	✓	**	0.40	11.3	0.50	12.7	5.76	146.1	1,056	20	21,120

** Lid IML decoration options: full panel or partial

Color Options

Base Colors	Other Colors
Natural	Available on request
White	
Clear	



SealPack 514



Features

- Film-sealable
- Made of high density polyethylene (HDPE)
- Dry offset print decoration
- Microwavable and dishwasher safe
- 100% recyclable polyethylene

LARGE ROUND 514 CONTAINERS

Ideal for bulk dairy and deli products

CONTAINERS

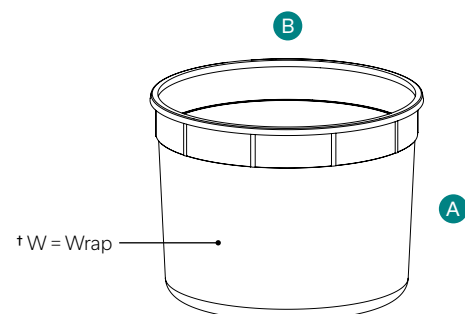
Product Code	Model	Decoration Options†		Brimful Capacity		Approx. Weight		Overall Height	A	Overall Diameter	B	Items Per Box	Boxes Per Pallet	Items Per Pallet
		IML	Offset	US fl.oz.	ml	oz.	g	in.	mm	in.	mm			
0054	54 oz. / 1.5L	✓	W	54.6	1,615	1.56	44	4.44	112.7	5.88	149.4	240	12	2,880
0085	85 oz. / 2.5L	✓	W	88.6	2,619	2.65	75	7.51	190.8	5.88	149.4	240	12	2,880

LID

Product Code	Associated Containers Code	Decoration Options		Approx. Weight		Height	A	Diameter	B	Items Per Box	Boxes Per Pallet	Items Per Pallet
		IML	Offset	oz.	g	in.	mm	in.	mm			
0514	All sizes of containers	✓		0.51	14.5	0.40	10.0	5.94	150.9	480	20	9,600

Color Options

Base Colors	Other Colors
Natural	Available on request
White	



SealPack Square



A MODERN SQUARE FILM SEAL CONTAINER

Modern design with a reduced environmental footprint. Ideal for deli products requiring high pressure pasteurization.

Features

- Film-sealable
- Less resin than our existing square or round series
- Withstands high pressure pasteurization*
- Photo-quality IML decoration
- Space saving compared to round
- Microwave and dishwasher safe
- 100% recyclable polypropylene

CONTAINERS

Product Code	Model	Decoration Options†		Brimful Capacity		Approx. Weight		Overall Height	A	Overall Width	B	Items Per Box	Boxes Per Pallet	Items Per Pallet
		IML	Offset	US fl.oz.	ml	oz.	g							
22530	8 oz. / 250 ml	✓ 3/5		11.46	339	0.34	9.6	1.79	45.5	4.17	105.9	1,120	16	17,920
23530	12 oz. / 350 ml	✓ 3/5		15.22	450	0.45	12.8	2.37	60.2	4.17	105.9	1,120	16	17,920
25030	16 oz. / 500 ml	✓ 3/5		18.80	556	0.54	15.4	2.93	74.5	4.17	105.9	920	16	14,720
21150	32 oz. / 1 L	✓ 3		35.88	1,061	0.86	24.5	2.94	74.7	5.73	145.5	384	20	7,680
21550	48 oz. / 1.5 L	✓ 3		52.75	1,560	1.27	36.1	4.33	110.0	5.73	145.5	288	20	5,760

* Ask for our HPP Guide to know more about HPP use and limitations on this series

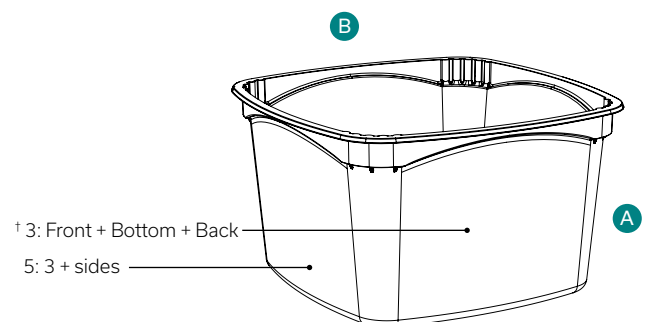
** Development is possible for five face label on all sizes

LIDS

Product Code	Associated Containers Code	Decoration Options		Approx. Weight		Height	A	Width	B	Items Per Box	Boxes Per Pallet	Items Per Pallet
		IML	Offset	oz.	g							
20130	22530, 23530, 25030	✓		0.21	6	0.55	14.0	4.21	106.9	1,512	30	45,360
20150	21150, 21550	✓		0.60	17	0.75	19.1	5.80	147.4	720	25	18,000

Color Options

Base Colors	Other Colors
Natural	Available on request
White	
Clear	



SnapPack Square



SQUARE WITH A FLARE

A reduced environmental footprint for tamper-evident applications. Designed for sustainability, SnapPack Square makes products stand out while providing uncompromised safety. Ideal for prepared salads and other deli products.

Features

- Non-detachable break tab for better safety
- Less resin than our original square or round series
- Better shelf appeal through differentiation
- Photo-quality IML decoration
- Space saving compared to round
- Microwave and dishwasher safe
- 100% recyclable polypropylene

CONTAINERS

Product Code	Model	Decoration Options†		Under Lid Capacity		Approx. Weight		Overall Height	Overall Width		Items Per Box	Boxes Per Pallet	Items Per Pallet
		IML	Offset	US fl.oz.	ml	oz.	g		A	B			
22531	8 oz. / 250 ml	✓ 3/5		8.90	264	0.46	13.0	1.57	39.8	4.16	704	20	14,080
23531	12 oz. / 350 ml	✓ 3/5		13.65	404	0.56	15.9	2.31	58.8	4.14	688	20	13,760
25031	16 oz. / 500 ml	✓ 3/5		17.22	509	0.64	18.1	2.93	74.4	4.14	672	20	13,440
28231	28 oz. / 750 ml	✓ 3/5		31.02	917	1.23	35.0	5.77	146.6	4.16	216	42	9,072
21151	32 oz. / 1 L	✓ 3/5		33.73	998	1.08	30.6	2.89	73.4	5.60	312	20	6,240
21351	40 oz. / 1.25 L	✓ 3/5		42.36	1,253	1.27	36.2	3.65	92.6	5.60	300	20	6,000
21551	48 oz. / 1.5 L	✓ 3/5		50.45	1,492	1.48	42.0	4.40	111.6	5.60	276	20	5,520

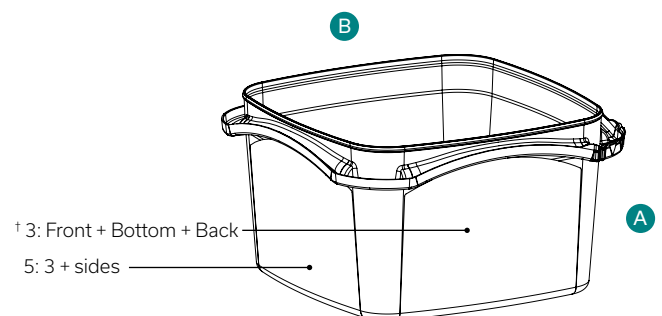
LIDS

Product Code	Associated Containers Code	Decoration Options*		Approx. Weight		Height	Width		Items Per Box	Boxes Per Pallet	Items Per Pallet
		IML	Offset	oz.	g		A	B			
20131	22531, 23531, 25031, 28231	✓		0.23	6.6	0.46	11.6	3.95	1,800	42	75,600
20151	21151, 21351, 21551	✓		0.46	13	0.57	14.6	5.41	848	35	29,680

* Lid IML decoration options: full panel or partial

Color Options

Base Colors	Other Colors
Natural	Available on request
White	
Clear	



SnapPack Rectangle



Features

- Tamper-evident with non-detachable break tab
- Wide opening
- Wrap around IML decoration & bottom window
- Bottom decoration available
- Large IML decoration surface on the lid
- Microwave and dishwasher safe
- 100% recyclable polypropylene

ENHANCED DESIGN, PREMIUM SAFETY

A rectangular tamper-evident container family, featuring added branding value with a modern design and photo-quality IML graphics.

CONTAINERS

Product Code	Model	Decoration Options [†]		Under Lid Capacity		Approx. Weight		Overall Height	A	Overall Length	B	Overall Width	C	Items Per Box	Boxes Per Pallet	Items Per Pallet
		IML	Offset	US fl.oz.	ml	oz.	g									
23586	12 oz. / 350 ml	✓	W/B	14.44	427	0.61	17.3	1.97	50.1	5.80	147.3	4.15	105.3	600	25	15,000
25086	16 oz. / 500 ml	✓	W/B	18.09	535	0.70	19.9	2.45	62.2	5.80	147.3	4.15	105.3	608	25	15,200

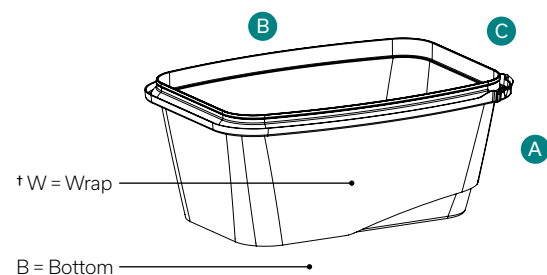
LID

Product Code	Associated Containers Code	Decoration Options		Approx. Weight		Height	A	Length	B	Width	C	Items Per Box	Boxes Per Pallet	Items Per Pallet
		IML	Offset	oz.	g									
20086	All sizes of containers	✓		0.33	9.4	0.34	8.6	5.70	144.7	4.02	102.1	1,224	24	29,376

* Lid IML decoration options: full panel or partial

Color Options

Base Colors	Other Colors
Natural	Available on request
White	
Clear	



SnapPack Round



Features

- Non-detachable break tab, sturdy yet easy to use
- Clear lid available for better shelf appeal
- Suitable for hot fill
- Freezable resin with high impact resistance
- Photo-quality IML graphics on container and lid
- Microwave and dishwasher safe
- 100 % recyclable polypropylene

FOOD SAFETY AND CONVENIENCE COMBINED

Round leak-proof container with non-detachable break tab. Ideal for portioned salads, spreads, and frozen desserts.

CONTAINER

Product Code	Model	Decoration Options†		Brimful Capacity		Approx. Weight		Overall Height ^A		Overall Diameter ^B		Items Per Box	Boxes Per Pallet	Items Per Pallet
		IML	Offset	US fl.oz.	ml	oz.	g	in.	mm	in.	mm			
22509	7 oz. / 230ml	✓	W	8.57	254	0.42	11.8	2.51	63.8	3.54	89.9	640	24	15,360

*Lid IML decoration option: partial

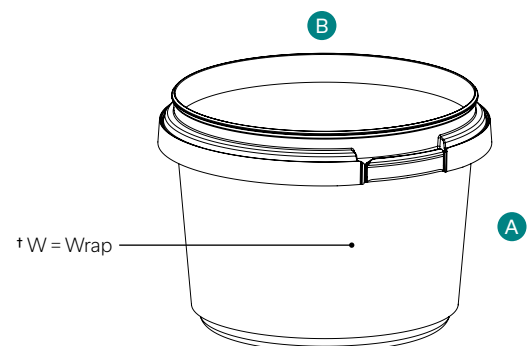
LID

Product Code	Associated Containers Code	Decoration Options		Approx. Weight		Height		Diameter ^B		Items Per Box	Boxes Per Pallet	Items Per Pallet
		IML	Offset	oz.	g	in.	mm	in.	mm			
20009	22509	✓		0.15	4.2	0.33	8.4	3.47	88.0	2,500	24	60,000

Color Options

Base Colors	Other Colors
Natural	Available on request
White	
Clear**	

** Lid only



Tamper-Evident Square



SAFETY AS A PRIORITY

Features our original tamper-evident security system to preserve quality and ensure the safety of your product. Ideal for dairy, deli and any other product.

Features

- Tamper-evident security system
- Easy to open and use
- Suitable for hot fill
- Photo-quality IML and dry offset decoration
- Space saving compared to round
- Microwave and dishwasher safe
- 100 % recyclable polypropylene

CONTAINERS

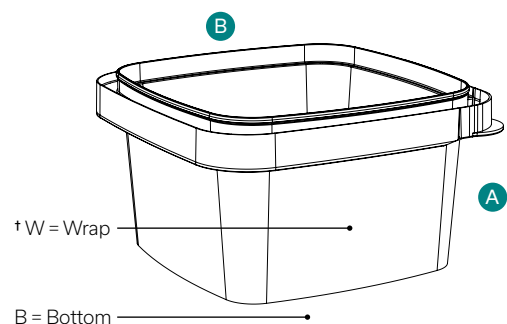
Product Code	Model	Decoration Options†		Under Lid Capacity		Approx. Weight		Overall Height	A	Overall Width	B	Items Per Box	Boxes Per Pallet	Items Per Pallet
		IML	Offset	US fl.oz.	ml	oz.	g	in.	mm	in.	mm			
22595	8 oz. / 250 ml		✓ W	8.79	260	0.56	15.9	1.63	41.4	4.28	108.7	900	16	14,400
23595	12 oz. / 350 ml	✓ W/B	✓ W	13.62	403	0.70	20.0	2.39	60.8	4.28	108.7	720	16	11,520
25095	16 oz. / 500 ml	✓ W/B	✓ W	17.25	510	0.77	21.9	3.00	76.1	4.28	108.7	700	16	11,200
21145	32 oz. / 1 L	✓ W/B	✓ W	33.81	1,000	1.20	34.2	3.00	76.1	5.84	148.3	420	16	6,720
21545	48 oz. / 1.5 L	✓ W	✓ W	51.00	1,508	1.72	48.7	4.51	114.4	5.85	148.7	300	16	4,800

LIDS

Product Code	Associated Containers Code	Decoration Options		Approx. Weight		Height	A	Width	B	Items Per Box	Boxes Per Pallet	Items Per Pallet
		IML	Offset	oz.	g	in.	mm	in.	mm			
20095	22595, 23595, 25095	✓	✓	0.25	7.23	0.28	7.1	4.14	105.2	1350	35	47,250
20145	21145, 21545	✓	✓	0.47	14.9	0.29	7.3	5.60	142.3	900	32	28,800

Color Options

Base Colors	Other Colors
Natural	Available on request
White	
Clear	



Tamper-Evident Rectangle



Features

- Tamper-evident security system
- Easy to open and use
- Suitable for hot fill
- Dry offset printing on containers
- Photo quality IML graphics on lid
- Microwave and dishwasher safe
- 100% recyclable polypropylene

SAFETY AS A PRIORITY

Features our original tamper-evident security system to preserve quality and ensure the safety of your product.

CONTAINERS

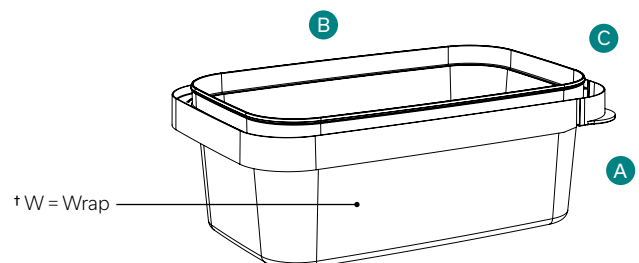
Product Code	Model	Decoration Options†		Under Lid Capacity		Approx. Weight		Overall Height A		Overall Length B		Overall Width C		Items Per Box	Boxes Per Pallet	Items Per Pallet
		IML	Offset	US fl.oz.	ml	oz.	g	in.	mm	in.	mm	in.	mm			
22585	8 oz. / 250 ml	✓	W	9.13	270	0.65	18.4	1.58	40.0	5.80	147.3	3.66	93.0	600	20	12,000
22585-80	8 oz. / 250 ml w/hook	✓	W	9.13	270	0.66	18.8	1.58	40.0	6.30	159.9	3.66	93.0	540	20	10,800
23585	12 oz. / 350 ml	✓	W	14.24	421	0.72	20.5	2.15	54.6	5.80	147.3	3.66	93.0	560	20	11,200
23585-80	12oz. / 350 ml w/hook	✓	W	14.24	421	0.73	20.8	2.15	54.6	6.30	160.1	3.66	93.0	504	20	10,080
25085	16 oz. / 500 ml	✓	W	18.00	532	0.84	23.9	2.65	67.4	5.80	147.3	3.66	93.0	540	20	10,800

LID

Product Code	Associated Containers Code	Decoration Options		Approx. Weight		Height A		Length B		Width C		Items Per Box	Boxes Per Pallet	Items Per Pallet
		IML	Offset	oz.	g	in.	mm	in.	mm	in.	mm			
20085	All sizes of containers	✓	✓	0.33	9.3	0.30	7.7	5.66	143.7	3.51	89.2	1,260	45	56,700

Color Options

Base Colors	Other Colors
Natural	Available on request
White	
Clear	



Tamper-Evident Round



SAFETY AS A PRIORITY

Features our original tamper-evident security system to preserve quality and ensure the safety of your product. Ideal for dairy, deli and zany other product.

Features

- Tamper-evident security system
- Easy to open and use
- Suitable for hot fill
- Photo-quality IML and dry offset decoration
- Microwave and dishwasher safe
- Optional handle on 48 and 84 oz.
- 100% recyclable polypropylene

CONTAINERS

Product Code	Model	Decoration Options [†]		Under Lid Capacity		Approx. Weight			Overall Height ^A	Overall Diameter ^B		Items Per Box	Boxes Per Pallet	Items Per Pallet
		IML	Offset	US fl.oz.	ml	oz.	g	in.	mm	in.	mm			
22314	8 oz. / 230 ml		✓ W	8.32	246	0.51	14.4	1.49	37.9	4.75	120.6	500	28	14,000
22514	10 oz. / 310 ml		✓ W	10.48	310	0.52	14.7	1.80	45.6	4.76	120.9	500	24	12,000
23514	12 oz. / 350 ml		✓ W	13.70	405	0.61	17.3	2.32	59.0	4.76	120.9	500	24	12,000
23515	12 oz. / 350 ml	✓ W/B		13.69	405	0.62	17.5	2.32	59.0	4.78	121.5	576	24	13,284
25014	16 oz. / 500 ml		✓ W	18.40	550	0.64	18.2	3.20	81.2	4.75	120.7	540	24	12,960
25015	16 oz. / 500 ml	✓ W/B		18.76	555	0.71	20.13	3.20	81.2	4.77	121.1	552	24	13,248
26214	20 oz. / 625 ml		✓ W	21.00	620	0.82	23.3	3.26	82.9	4.78	123.7	444	24	10,656
26215	20 oz. / 625 ml	✓ W/B		21.00	622	0.79	22.5	3.26	82.8	4.78	121.3	444	24	10,656
27514	24 oz. / 750 ml		✓ W	28.8	853	1.06	30.2	5.13	130.4	4.77	121.3	456	24	10,944
21114	32 oz. / 1 L		✓ W	35.64	1,054	1.10	31.3	5.60	142.2	4.81	122.1	336	24	8,064
21560	48 oz. / 1.5 L (optional plastic handle)		✓ W	51.16	1,513	1.54	43.8	3.89	98.8	6.50	165.1	342	16	5,472
22060	64 oz. / 2 L (available in combo-pack)		✓ W	64.24	1,900	1.63	46.3	4.87	123.7	6.50	165.1	297	16	4,752
22570	84 oz. / 2.5 L (optional integrated handle)		✓ W	88.97	2,630	2.26	64.1	6.16	156.5	6.83	173.5	207	16	3,312

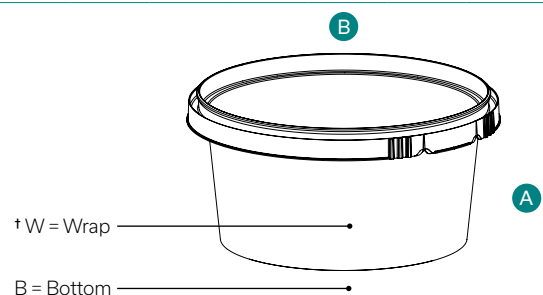
LIDS

Product Code	Associated Containers Code	Decoration Options		Approx. Weight		Height	^A	Diameter ^B		Items Per Box	Boxes Per Pallet	Items Per Pallet
		IML	Offset	oz.	g	in.	mm	in.	mm			
20114	22314, 22514, 23514, 23515, 25014, 25015, 26214, 26215, 27514, 21114	✓	✓	0.27	7.6	0.29	7.3	4.59	116.7	1,000	28	28,000
20160	21560, 22060		✓	0.52	14.6	0.28	7.1	6.36	161.6	1,040	20	20,800
20168	Non air-tight: 21560, 22060		✓	0.60	16.9	0.28	7.1	6.36	161.6	1,040	20	20,800
20170	22570		✓	0.55	15.5	0.29	7.3	6.70	170.1	828	28	23,184
20178	Non air-tight: 22570		✓	0.54	15.5	0.29	7.3	6.69	169.8	828	28	23,184

Color Options

Base Colors	Other Colors
Natural	Available on request
White	
Clear**	

** specific sizes only





TAMPER EVIDENT 24 SERIES ROUND CONTAINERS

Features a sturdy tamper-evident system to preserve quality and ensure the safety of your product. Its high density polyethylene (HDPE) construction makes it the ideal container for the toughest of applications. Ideal for bulk foods, home and garden products and suitable for chemicals.

Features

- Tamper evident security system
- Skirt hugging handle for simple production and handling
- Perfect for retail and industrial markets
- Easy to open and use
- Dry offset decoration
- Available with or without plastic handle
- 100% recyclable high density polyethylene (HDPE) lids and containers

CONTAINERS

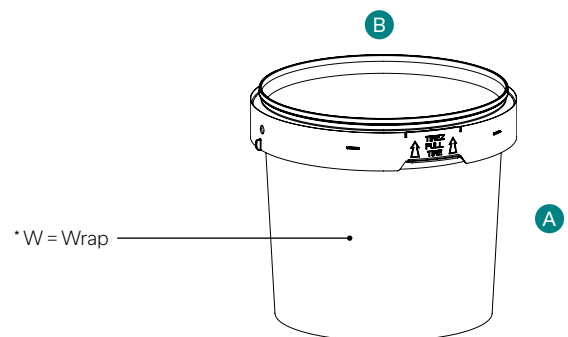
Product code	Model	Decoration Options*		Underlid Capacity		Approx Weight		Overall Height ^A		Overall Diameter ^B		Items Per box	Boxes Per Pallet	Items Per Pallet
		IML	Offset	US fl. oz.	ml	oz.	g	in.	mm	in.	mm			
61992	#224 - 2L pail	✓	W	66.6	1970	3.4	96	5.65	143.5	6.5	165	140	16	2240
61994	#324 - 2.25L pail	✓	W	75.5	2230	3.67	104	6.55	166.4	6.5	165	120	16	1920

LID

Product code	Associated Containers Code	Decoration Options		Approx Weight		Overall Height ^A		Overall Diameter ^B		Items Per Box	Boxes Per Pallet	Items Per Pallet
		IML	Offset	oz.	g	in.	mm	in.	mm			
63481	All sizes of containers	✓		1.02	29	0.45	11.4	6.22	158	600	20	12000

Color Options

Base Colors	Other Colors
Natural	Available on request
White	
Clear	





Features

- Intuitive pull-tab, single-motion lid opening
- Easy handling with built-in handles
- Stable in a stack
- Optimized pallet display
- Up to 40% more containers on a pallet vs. round
- Tamper-evident system & film-sealable container
- Photo-quality IML decoration
- Microwave and dishwasher safe
- 100% recyclable polypropylene

SAFE AND DURABLE WITH GREAT BRANDING VALUE

A tamper-evident system that offers a unique integrity indicator, increasing product safety while adding shelf appeal. Choose between the original TrustPack tamper-evident lid or the performance lid that also accommodates a film seal application. Ideal for club stores and family size applications within various food and household categories.

CONTAINERS

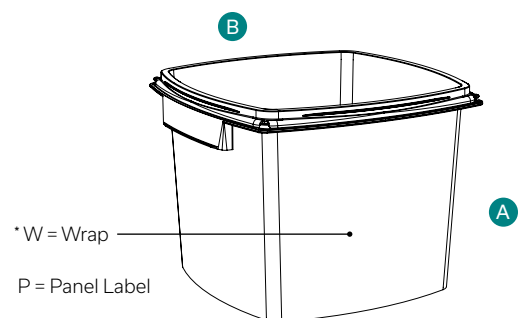
Product Code	Model	Decoration Options*		Under Lid Capacity			Approx. Weight		Overall Height	A	Overall Width		Items Per Box	Boxes Per Pallet	Items Per Pallet
		IML	Offset	US fl.oz.	ml	oz.	g	in.			mm	in.			
22064	64 oz. / 2 L	✓	W/P	74.05	2,190	2.29	64.8	4.95	125.7	6.68	169.7	150	21	3,150	
22564	84 oz. / 2.5 L	✓	W/P	88.25	2,610	2.72	77.0	5.90	149.9	6.57	166.8	144	21	3,024	

LIDS

Product Code	Associated Containers Code	Decoration Options		Approx. Weight		Height	A	Width		Items Per Box	Boxes Per Pallet	Items Per Pallet
		IML	Offset	oz.	g			in.	mm			
20163	Film Seal version / All sizes of containers	✓		0.74	21.0	0.57	14.4	6.47	164.4	624	28	17,472
20164	Regular Tamper-Evident / All sizes of containers	✓		0.69	19.5	0.38	9.60	6.46	164.1	600	28	16,800

Color Options

Base Colors	Other Colors
Natural	Available on request
White	
Clear	



FreezePack Rectangle T-E



Features

- Outstanding clarity to showcase products
- Integrated, non-detachable tamper-evident system
- Optional high-impact resistant polypropylene for freezer applications
- Photo-quality IML decoration on container and lid
- Two lid options (original or performance)
- 100% recyclable polypropylene
- Microwave and dishwasher safe

NON-ROUND CLEAR AND FREEZABLE CONTAINER

A tamper-evident container that offers excellent clarity without compromising on cold impact resistance. Choose between the original stylish lid the new performance lid for improved sealing.

CONTAINER

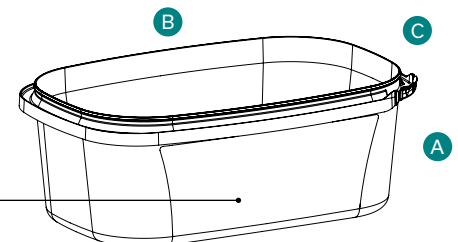
Product Code	Model	Decoration Options†		Under Lid Capacity		Approx. Weight		Overall Height	A	Overall Length	B	Overall Width	C	Items Per Box	Boxes Per Pallet	Items Per Pallet
		IML	Offset	US fl.oz.	ml	oz.	g	in.	mm	in.	mm	in.	mm			
21188	32 oz. / 1 L	✓	3F	3770	1,115	1.30	36.8	2.72	69.1	7.50	190.5	4.97	126.2	270	25	6,750

LID

Product Code	Associated Containers Code	Decoration Options		Approx. Weight		Height	A	Length	B	Width	C	Items Per Box	Boxes Per Pallet	Items Per Pallet
		IML	Offset	oz.	g	in.	mm	in.	mm	in.	mm			
20188	21188	✓		0.61	17.3	0.52	13.3	7.34	186.5	4.81	122.3	792	25	19,800
20189	21188	✓		0.61	17.2	0.35	8.8	7.34	186.5	4.81	122.3	972	25	24,300

Color Options

Base Colors	Other Colors
Natural	Available on request
White	
Clear	



† 3F: Front + Bottom + Back

FreezePack Round



Features

- Outstanding clarity to showcase products
- Freezable, high-impact resistant polypropylene
- Modern design
- Easy filling line transition from other pint products
- Photo-quality IML decoration on container and lid
- Logo engraving possible on the lid
- 100% recyclable polypropylene
- Microwave and dishwasher safe

ROUND, CLEAR AND FREEZABLE CONTAINERS

A two-size family of freezable clear polypropylene containers. Standard 314 round opening that facilitates transition from other pint-size containers.

CONTAINERS

Product Code	Model	Decoration Options†		Brimful Capacity		Approx. Weight		Overall Height ^A		Overall Diameter ^B		Items Per Box	Boxes Per Pallet	Items Per Pallet
		IML	Offset	US fl.oz.	ml	oz.	g	in.	mm	in.	mm			
24442	14 oz. / 420ml	✓	3F	14.88	440	0.56	15.9	3.70	93.9	3.78	96.0	744	25	18,600
25042	16 oz. / 500ml	✓	W	16.97	502	0.62	17.7	4.06	103.1	3.78	96.0	720	25	18,000

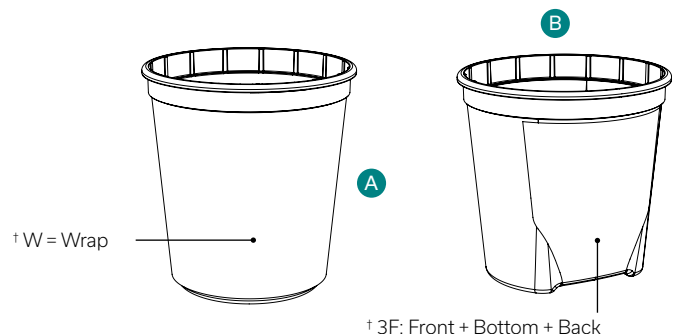
LID

Product Code	Associated Containers Code	Decoration Options		Approx. Weight		Height ^A		Diameter ^B		Items Per Box	Boxes Per Pallet	Items Per Pallet
		IML	Offset	oz.	g	in.	mm	in.	mm			
20143	All sizes of containers	✓		0.26	7.25	0.61	15.4	3.83	97.2	720	25	18,000

Color Options

Base Colors	Other Colors
Natural	Available on request
White	
Clear**	

** Containers only



FreezePack Oval



Features

- Outstanding clarity to showcase products
- Freezable, high-impact resistant polypropylene
- Modern design
- Photo-quality IML decoration on container and lid
- 100% recyclable polypropylene
- Microwave and dishwasher safe

OVAL, CLEAR AND FREEZABLE CONTAINER

A freezable 32oz. container that offers excellent clarity without compromising on cold impact resistance. Ideal to showcase frozen treats!

CONTAINER

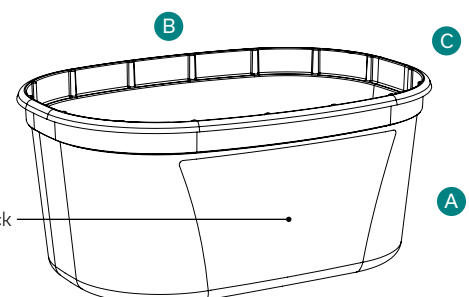
Product Code	Model	Decoration Options†		Under Lid Capacity		Approx. Weight		Overall Height	A	Overall Length	B	Overall Width	C	Items Per Box	Boxes Per Pallet	Items Per Pallet
		IML	Offset	US fl.oz.	ml	oz.	g	in.	mm	in.	mm	in.	mm			
21187	32 oz. / 1 L	✓	3F	35.34	1,045	1.20	34.1	3.06	77.7	6.95	176.4	4.98	126.4	288	20	5,760

LID

Product Code	Associated Containers Code	Decoration Options		Approx. Weight		Height	A	Length	B	Width	C	Items Per Box	Boxes Per Pallet	Items Per Pallet
		IML	Offset	oz.	g	in.	mm	in.	mm	in.	mm			
20187	21187	✓		0.64	18.1	0.53	13.4	7.14	181.4	5.17	131.3	462	30	13,860

Color Options

Base Colors	Other Colors
Natural	Available on request
White	
Clear	



† 3F: Front + Bottom + Back

FreezePack Square 1 Gallon



Features

- Consistent front facing display
- Lid sidewall billboard for flavor
- Photo-quality IML decoration on pail and lid
- User friendly diagonal handle design
- Recycled resin used in the handle*
- 100% recyclable polypropylene
- Microwave and dishwasher safe

DESIGNED FOR PRIVATE LABEL BRANDING

This square pail was designed for the ice cream market to be efficient, consumer friendly and sustainable. The best one gallon square pail for the ice cream retail market and the most efficient packaging to optimize your freezer space.

CONTAINERS

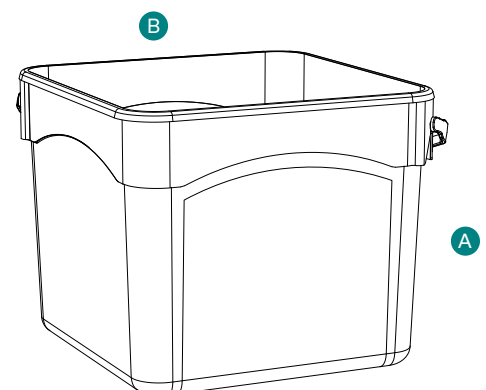
Product Code	Model	Decoration Options†		Under Lid Capacity		Approx. Weight		Overall Height	Overall Width	Items Per Box	Boxes Per Pallet	Items Per Pallet		
		IML	Offset	US fl.oz.	ml	oz.	g	in.	mm					
83861	1 gallon / 3.78L	✓	3F	128	3785	3.6	102	5.84	148.3	7.05	179.1	720	2	1440

LIDS

Product Code	Associated Containers Code	Decoration Options		Approx. Weight		Height	Width	Items Per Box	Boxes Per Pallet	Items Per Pallet		
		IML	Offset	oz.	g	in.	mm					
80161		✓		1.23	35	0.57	14.6	7.15	181.6	300	20	6000

Color Options

	Standard Colors	Other Colors
Pail	Natural	White
Lid	Natural	White
Handle	Blue	White



*Recycled content in the handle must be requested, specifications can be provided on request.

† 3: Front + Bottom + Back



ROUND AND NON-ROUND OVERCAPS FOR COMPOSITE CANS, METAL CANS, PAPERBOARD CUPS, AND INJECTION MOLDED AND THERMOFORMED CONTAINERS

IPL manufactures the industry's highest quality lids and overcaps for many leading brands in the food industry.

Applications

- Beer and beverages
- Drink mixes
- Infant Formula
- Coffee
- Snacks
- Dried fruits
- Dips
- Soups
- Bread crumbs
- Cereals
- Ice Cream

TYPE	Product code	Approx. Weight (g.)	Inside Diameter in.)	Items per box	Boxes per Pallet	Items per Pallet
COMPOSITE CAN	211CE	2.9	2.714	2,604	30	78,120
	301A	4.3	3.070	1,960	25	49,000
	301CE	3.6	3.013	1,125	45	50,625
	307CE	4.9	3,434	2,160	16	34,560
	401CE	6.3	4.048	1,500	24	36,000
	402CF	6.5	4.098	1,225	28	34,300
	402CF CLARIFIED PP	5.1	4.086	1,225	28	34,300
	502CC	11.0	5.126	840	24	20,160
	603CE	15.8	6.217	594	20	11,880
PAPERBOARD CONTAINER	300UK	4.3	3.148	1,400	20	28,000
	307SS	5.3	3.554	1,680	16	26,880
	308	5.6	3.507	1,750	16	28,000
	314UK	6.0	3.892	1,500	20	30,000
	401UK	7.2	4.203	840	20	16,800
	504	11.5	5.277	944	16	15,104
	NR500	9.6	5.220 X 4.003	600	30	18,000
	NR680	10	5.380 X 4.160	600	30	18,000
	912	52.5	9.707	100	24	2,400
PLASTIC CONTAINER	402P	6.4	4.111	1,120	25	28,000
	408	7.5	4.491	696	30	20,880
	409PP	5.8	4.550	1,200	25	30,000
	409PP CLARIFIED PP	5.8	4.555	1,200	25	30,000
	514	15.0	5.880	480	20	9,600
	514IN	10.6	5.875	888	20	17,760
METAL CAN	307	4.6	3.386	2,520	20	50,400
	401	6.0	3.976	1,500	24	36,000
	502	10.0	5.063	1,000	24	24,000
	603	15.3	6.138	405	24	9,720
KEG	208	2.9	2.506	2,000	42	84,000

Color Options

Base Colors	Other Colors**
Natural	Available on request
White	
Clear*	

* Where clarified Polypropylene is used

** IPL processes several different colors and has color matching capabilities.

Decoration Options

Traditional Decoration	Custom Decoration
Dry Offset Printing	Engraving / Embossing
Pressure Sensitive Label (PSL)	In Mold Label (IML):
	- Traditional IML
	- Paperboard Insert

IPL

Consumer Packaging Solutions



IPL'S CONSUMER PACKAGING SOLUTIONS IN NORTH AMERICA

IPL partners with customers to drive innovation by offering a dedicated R&D team to create custom and sustainable packaging with speed-to-market capabilities.

North America Footprint

- 100+ injection molding machines
- 3 manufacturing sites
- 2 R&D facilities

About

Consumer Packaging Solutions is a division of IPL Global. To learn more, visit www.iplglobal.com.

Project?

Not sure you found what you need?
Need a custom design?
Get in touch with one of our retail and consumer packaging experts!
info.cps@iplglobal.com
www.iplglobal.com

IML Decoration

IML decorated products are available upon request in a various selection of finishes such as matte, clear, glossy, metallic, etc.

Certifications

The raw materials used are tested according to ASTM standards for polymers, are approved for food contact and meet FDA (Food and Drug Administration, USA) and HPB (Health Protection Branch, Canada) regulations. Our facilities and rigorous quality control processes have earned us certification under the following standards: ISO 9001, HACCP, IMS, SQF, C-TPAT & ISO 14001 registered management system.

Overcaps

IPL is a leading supplier of lids and overcaps across North America. Take a look at our complete offer of lids for a wide range of packaging solutions, from metal cans to paperboard cups.

Terms and conditions

For warranties, handling, processing, and testing please refer to our full terms and conditions sheet.

Handling conditions vary from customer to customer. Some chemicals can affect the integrity of the product. Any product requiring a Safety Data Sheet (SDS) must be submitted and approved by IPL.

Product usage temperature is between -9.4°F (-23°C) and 179.6°F (82°C) depending on resin grade.

Customer is responsible prior to use to perform all tests on their products. If buyer fails to adhere to this clause, the related product guarantees will void.

