



Consumer Packaging

SNAPPACK SQUARE SERIES
8 OZ. / 250 ML TO 48 OZ. / 1.5 L



FOOD MANUFACTURING AND PROCESSING

Square with a Flare.

SnapPack Square

Increased visibility and space saving



We don't just make containers, we understand the importance of reaching and attracting your customers at the point of purchase.

SNAPPACK SQUARE SERIES

Provides a reduced environmental footprint for tamper-evident applications. Designed for sustainability, SnapPack Square makes products stand out while providing uncompromised safety. Showcase your product in a clear container with flexible decoration options. Available in a wide range of sizes, it is ideal for prepared salads and other deli products.

For every need

Dairy

Cultured dairy, cheese, spreads, shredded cheese.

Deli

Salads, soups, sauces, dips, other refrigerated products.

Other

Grocery, club store, food service, hardware, household cleaning, pet food, lawn & garden.

Features

- Offers large decoration surface and photo quality IML graphics
- 3 or 5 sided IML label available
- Non-detachable break tab for better safety
- Less resin than our original square or round series
- Better shelf appeal through differentiation
- Photo-quality IML decoration
- 100% recyclable polypropylene

Benefits

- Space saving vs. same size round containers
- Microwave and dishwasher safe



Mod.: 22531
8 oz. - (250 ml)
4.14" (W) X 1.57" (H)



Mod.: 23531
12 oz. - (350 ml)
4.14" (W) X 2.31" (H)



Mod.: 25031
16 oz. - (500 ml)
4.14" (W) X 2.93" (H)



Mod.: 28231
28 oz. - (750 ml)
4.14" (W) X 5.77" (H)



Mod.: 21151
32 oz. - (1 L)
5.60" (W) X 2.89" (H)



Mod.: 21351
40 oz. - (1.25 L)
5.60" (W) X 3.65" (H)



Mod.: 21551
48 oz. - (1.5 L)
5.60" (W) X 4.40" (H)

SnapPack Square Specifications

www.iplglobal.com

1-800-647-0602

CONTAINERS

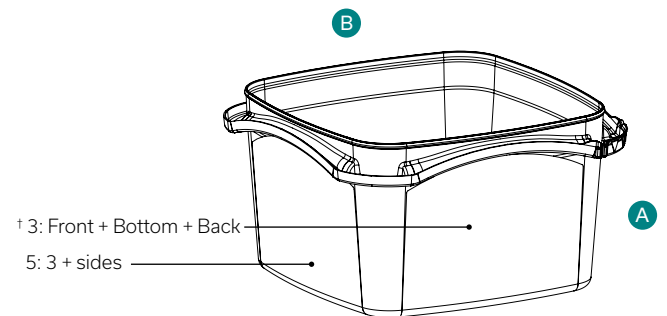
Product Code	Model	Decoration Options†		Under Lid Capacity		Approx. Weight		Overall Height	Overall Width		Items Per Box	Boxes Per Pallet	Items Per Pallet	
		IML	Offset	US fl.oz.	ml	oz.	g	A	B					
								in.	mm	in.	mm			
22531	8 oz. / 250 ml	✓	3/5	8.90	264	0.46	13.0	1.57	39.8	4.14	105.7	704	20	14,080
23531	12 oz. / 350 ml	✓	3/5	13.65	404	0.56	15.9	2.31	58.8	4.14	105.0	688	20	13,760
25031	16 oz. / 500 ml	✓	3/5	17.22	509	0.64	18.1	2.93	74.4	4.14	105.1	672	20	13,440
28231	28 oz. / 750 ml	✓	3/5	31.02	917	1.23	35.0	5.77	146.6	4.14	105.7	216	42	9,072
21151	32 oz. / 1 L	✓	3/5	33.73	998	1.08	30.6	2.89	73.4	5.60	142.2	312	20	6,240
21351	40 oz. / 1.25 L	✓	3/5	42.36	1,253	1.27	36.2	3.65	92.6	5.60	142.2	300	20	6,000
21551	48 oz. / 1.5 L	✓	3/5	50.45	1,492	1.48	42.0	4.40	111.6	5.60	142.2	276	20	5,520

LIDS

Product Code	Associated Containers Code	Decoration Options		Approx. Weight		Height	Width		Items Per Box	Boxes Per Pallet	Items Per Pallet	
		IML	Offset	oz.	g	A	B					
						in.	mm	in.	mm			
20131	22531, 23531, 25031, 28231	✓		0.23	6.6	0.46	11.6	3.95	100.3	1,800	42	75,600
20151	21151, 21351, 21551	✓		0.48	13.5	0.57	14.6	5.41	137.4	848	35	29,680

Color Options

Base Colors	Standard Colors	Other Colors
Natural 000	Yellow 012	Available on request
White 001	Orange 021	
Clear 002	Red 485	
	Green 377	
	Blue 293	
	Black 099	



Certifications

The raw materials used are tested according to ASTM standards for polymers, are approved for food contact and meet FDA (Food and Drug Administration, USA) and HPB (Health Protection Branch, Canada) regulations. Our facilities and rigorous quality control processes have earned us certification under the following standards: ISO 9001, HACCP, IMS, SQF, C-TPAT & ISO 14001 registered management system.

Recommendations

Handling conditions vary from customer to customer. We recommend validating your processes (filling, conveying, warehousing and any others that might affect the purchased part) prior to use. Product usage temperature is between -9.4°F (-23°C) and 179.6°F (82°C) depending on resin grade.

Warranties

Some chemicals can affect the integrity of the product. Any product requiring a Safety Data Sheet (SDS) has to be submitted and approved by IPL. If buyer fails to adhere to this clause, the related product guarantees will be void.

Contact your IPL representative to ensure you have the most recent information.

The information presented herein was prepared at IPL Inc. by qualified technical personnel. To IPL's knowledge, it is true and accurate. However, the information and recommendations are provided for these products with the understanding that the customer will independently determine that the product is suitable for the intended use, and that such use, complies with all applicable laws and regulations. The data represents typical values submitted only for the user's information and consideration and does not constitute a warranty of any kind.