



# Consumer Packaging



SEALPACK ROUND TALL SERIES  
8 OZ. / 250 ML TO 32 OZ. / 1 L

FOOD MANUFACTURING AND PROCESSING

## Packaging that stands out.

# SealPack Round Tall

## Extend the shelf life of your products



Extend the shelf life of your products without food preservatives. All SealPack Round series containers are HPP ready.

### Features

- Film-sealable
- Optional hinged lid
- Easy transition from other existing products
- Withstands high pressure pasteurization\*
- Photo-quality IML decoration
- Dry offset print decoration
- Microwave and dishwasher safe
- 100% recyclable polypropylene

### Benefits

- Easy transition from other existing products
- Microwave and dishwasher safe
- HPP-ready packaging

### PACKAGING THAT STANDS OUT

Designed to differentiate your brand from the competition while protecting the freshness and unique taste of your product. Ideal for deli and dairy products. Improve your customers experience with our optional reclosable pouring lid, perfect for dispensing grated cheeses or other crumbled products,

### For every need

#### Dairy

Cultured dairy, cheese, spreads, shredded cheese.

#### Deli

Salads, soups, sauces, dips, other refrigerated products.



**Mod.: 22520**  
8 oz. - (250 ml)  
4.59" (W) X 1.95" (H)



**Mod.: 23120**  
10 oz. - (310 ml)  
4.59" (W) X 2.36" (H)



**Mod.: 23520**  
12 oz. - (350 ml)  
4.59" (W) X 2.72" (H)



**Mod.: 24020**  
14 oz. - (425 ml)  
4.59" (W) X 2.92" (H)



**Mod.: 25020**  
16 oz. - (500 ml)  
4.59" (W) X 3.49" (H)



**Mod.: 27520**  
24 oz. - (750 ml)  
4.59" (W) X 4.02" (H)



**Mod.: 21120**  
32 oz. - (1 L)  
4.59" (W) X 5.28" (H)

# SealPack Round Tall Specifications

www.iplglobal.com  
1-800-647-0602  
info.cps@iplglobal.com

## CONTAINERS

Product Code	Model	Decoration Options†		Brimful Capacity		Approx. Weight		Overall Height	Overall Diameter <sup>A</sup>	Overall Diameter <sup>B</sup>	Items Per Box	Boxes Per Pallet	Items Per Pallet	
		IML	Offset	US fl.oz.	ml	oz.	g	in.	mm	in.				mm
22520	8 oz. / 250 ml	✓ W/B	✓ W	11.16	331	0.32	9.2	1.95	49.5	4.59	116.6	1,020	20	20,400
23120	10 oz. / 310 ml	✓ W/B	✓ W	13.19	390	0.39	11.1	2.36	59.8	4.59	116.6	1,000	20	20,000
23520	12 oz. / 350 ml	✓ W/B	✓ W	15.92	471	0.45	12.8	2.72	69.0	4.59	116.6	960	20	19,200
24020	14 oz. / 425 ml	✓ W/B		16.91	500	0.47	13.3	2.92	74.0	4.59	116.6	980	20	19,600
25020	16 oz. / 500 ml	✓ W/B	✓ W	19.58	579	0.53	15.1	3.49	88.5	4.59	116.6	920	20	18,400
27520	24 oz. / 750 ml	✓ W		26.21	775	0.74	20.9	4.02	102.1	4.59	116.6	600	20	12,000
21120	32 oz. / 1 L	✓ W		33.81	1,000	1.02	29.0	5.28	134.2	4.59	116.6	380	20	7,600

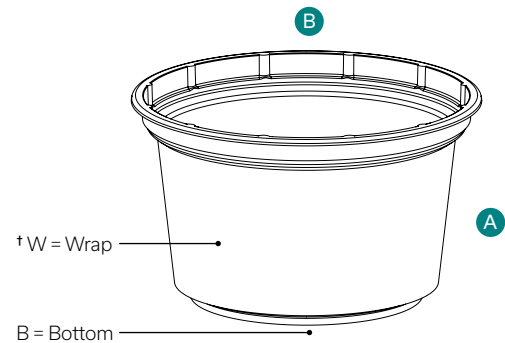
\* Ask for our HPP Guide to know more about HPP use and limitations on this series

## LIDS

Product Code	Associated Containers Code	Decoration Options		Approx. Weight		Height	Height <sup>A</sup>	Diameter <sup>B</sup>	Items Per Box	Boxes Per Pallet	Items Per Pallet	
		IML	Offset	oz.	g	in.	mm	in.	mm			
20120	All sizes of containers	✓	✓	0.26	7.4	0.29	7.4	4.63	117.6	1,140	24	27,360

## Color Options

Base Colors	Other Colors
Natural	Available on request
White	
Clear	



## About

IPL inc. Consumer Packaging Solutions is a division of IPLP Group. To learn more, visit [www.iplglobal.com](http://www.iplglobal.com).

## Project?

Not sure you found what you need?  
Need a custom design?  
Get in touch with one of our retail and consumer packaging expert!  
[info.cps@iplglobal.com](mailto:info.cps@iplglobal.com)  
[www.iplglobal.com](http://www.iplglobal.com)  
1-800-647-0602

## Certifications

The raw materials used are tested according to ASTM standards for polymers, are approved for food contact and meet FDA (Food and Drug Administration, USA) and HPB (Health Protection Branch, Canada) regulations. Our facilities and rigorous quality control processes have earned us certification under the following standards: ISO 9001, HACCP, IMS, SQF, C-TPAT & ISO 14001 registered management system.

## Terms and conditions

For warranties, handling, processing, filling and testing recommendations, please refer to our full terms and conditions sheet available upon request.