

# FREEZEPACK

## RECTANGLE T-E



### NON-ROUND CLEAR AND FREEZABLE CONTAINER

A freezable, tamper-evident container that offers excellent clarity without compromising on cold impact resistance.

### KEY FEATURES AND BENEFITS

- Freezable, high impact resistant polypropylene
- Super clear container for added consumer appeal
- Integrated, non detachable tamper-evident system
- Modern design
- Photo quality IML graphics on container and lid.
- Microwave and dishwasher safe

## TECHNICAL SPECIFICATIONS

### CONTAINER

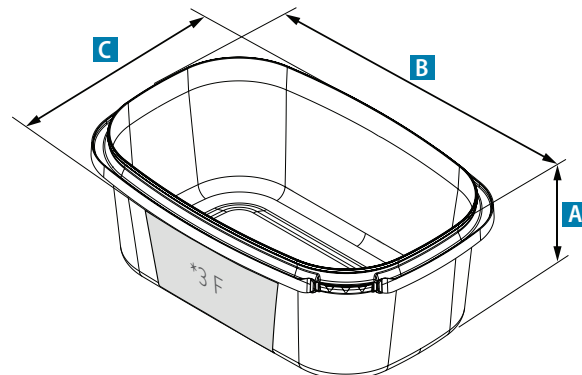
PRODUCT CODE	MODEL †	DECORATION OPTIONS*		UNDER LID CAPACITY		APPROX. WEIGHT		A OVERALL HEIGHT		B OVERALL LENGTH		C OVERALL WIDTH		ITEMS PER BOX	BOXES PER PALLET	ITEMS PER PALLET		
		IML	Offset	US fl.oz.	ml	oz.	g	in.	mm	in.	mm	in.	mm					
21188	32 oz. / 1 L	✓	3F			37.70	1,115	1.30	36.8	2.72	69.1	7.50	190.5	4.97	126.2	270	25	6,750

### LID

PRODUCT CODE	MODEL - ASSOCIATED CONTAINERS	DECORATION OPTIONS		APPROX. WEIGHT		A HEIGHT		B LENGTH		C WIDTH		ITEMS PER BOX	BOXES PER PALLET	ITEMS PER PALLET
		IML	Offset	oz.	g	in.	mm	in.	mm	in.	mm			
20188	32 oz. / 1 L	✓		0.61	17.3	0.52	13.3	7.34	186.5	4.81	122.3	540	25	13,500

### COLOR OPTIONS

BASE COLORS	STANDARD COLORS	OTHER COLORS
Natural 000	Yellow 012	Available upon request
White 001	Orange 021	
Clear 002	Red 485	
	Green 377	
	Blue 293	
	Black 099	



\* 3F: FRONT + BOTTOM + BACK



## CERTIFICATIONS

The raw materials used are tested according to ASTM standards for polymers, are approved for food contact and meet FDA (Food and Drug Administration, USA) and HPB (Health Protection Branch, Canada) regulations.



## MATERIAL

Containers, lids and IML labels are made of 100% recyclable polypropylene (PP).



## MINIMUM ORDERS INFORMATION

For details on minimum order quantities or for any other additional information, please contact IPL customer care at 1-800-647-0602 or visit our web site at [www.ipl-plastics.com](http://www.ipl-plastics.com).

## RECOMMENDATIONS

Handling conditions vary from customer to customer. We recommend validating your processes (filling, conveying, warehousing and any others that might affect the purchased part) prior to use. Product usage temperature is between -9.4°F (-23°C) and 179.6°F (82°C) depending on resin grade.

## WARRANTIES

Some chemicals can affect the integrity of the product. Any product requiring a Safety Data Sheet (SDS) has to be submitted and approved by IPL. If buyer fails to adhere to this clause, the related product guarantees will be void.

Specifications may vary slightly over time. Please contact your IPL representative to ensure you have the most recent information.

The information presented herein was prepared at IPL Inc. by qualified technical personnel. To IPL's knowledge, it is true and accurate. However, the information and recommendations are furnished for these products with the understanding that the purchaser or user will independently determine that the product is suitable for the intended use, and that such use, complies with all applicable laws and regulations. The data represents typical values submitted only for the user's information and consideration and does not constitute a warranty of any kind.

## ABOUT

IPL inc. Consumer Packaging Solutions is a division of IPLP Group. To learn more, visit [www.iplpgroup.com](http://www.iplpgroup.com).

## PROJECT?

Not sure you found what you need?

Need a custom design?

Get in touch with one of our retail and consumer packaging expert!

[info@ipl-plastics.com](mailto:info@ipl-plastics.com)

[www.ipl-plastics.com](http://www.ipl-plastics.com)