



Consumer Packaging



TRUSTPACK™
64 OZ. / 2 L TO 84 OZ. / 2.5 L

FOOD MANUFACTURING AND PROCESSING

Safety, ease of use and
added branding value.

TrustPack™

Increasing product safety and shelf appeal



We don't just make containers, we understand the importance of reaching and attracting your customers at the point of purchase.

SAFE, CONVENIENT & GREAT BRANDING VALUE

A tamper-evident system that offers a unique integrity indicator, increasing product safety while adding shelf appeal.

Ideal for a wide range of application such as dairy, deli, confectionary, nutritional supplements, detergents, etc. Trustpack containers are ideal for retail and wholesale food markets, restaurants, and food service businesses.

Now also available with a lid option for products requiring the application of a film seal.

Features

- Intuitive pull-tab, single-motion lid opening
- Easy handling with built-in handles
- Stable in a stack
- Optimized pallet display
- Up to 40% more containers on a pallet vs. round
- Tamper-evident system & film-sealable container
- Photo-quality IML decoration
- Microwave and dishwasher safe
- 100% recyclable polypropylene

Benefits

- Added branding value through photo-quality IML

For every need

Dairy

Cultured dairy, cheese, spreads, shredded cheese.

Deli

Salads, soups, sauces, dips, other refrigerated products.

Other

Grocery, club store, food service, hardware, household cleaning, pet food, lawn & garden.



Mod.: 22064
64 oz. - (2 L)
6.68" (W) X 4.95" (H)



Mod.: 22564
84 oz. - (2.5 L)
6.57" (W) X 5.90" (H)

CONTAINERS

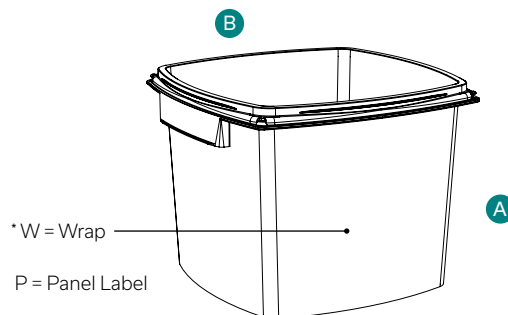
Product Code	Model	Decoration Options*		Under Lid Capacity		Approx. Weight		Overall Height	Overall Width		Items Per Box	Boxes Per Pallet	Items Per Pallet
		IML	Offset	US fl.oz.	ml	oz.	g	in.	mm	in.			
22064	64 oz. / 2 L	✓	W/P	74.05	2,190	2.29	64.8	4.95	125.7	6.68	150	21	3,150
22564	84 oz. / 2.5 L	✓	W/P	88.25	2,610	2.72	77.0	5.90	149.9	6.57	144	21	3,024

LIDS

Product Code	Associated Containers Code	Decoration Options		Approx. Weight		Height	Width		Items Per Box	Boxes Per Pallet	Items Per Pallet
		IML	Offset	oz.	g	in.	mm	in.			
20163	Film Seal version / All sizes of containers	✓		0.74	21.0	0.57	14.4	6.47	624	28	17,472
20164	Regular Tamper-Evident / All sizes of containers	✓		0.69	19.5	0.38	9.60	6.46	600	28	16,800

Color Options

Base Colors	Other Colors
Natural	Available on request
White	
Clear	



About

IPL inc. Consumer Packaging Solutions is a division of IPLP Group. To learn more, visit www.iplglobal.com.

Project?

Not sure you found what you need?
Need a custom design?
Get in touch with one of our retail and consumer packaging expert!
info.cps@iplglobal.com
www.iplglobal.com
1-800-647-0602

Certifications

The raw materials used are tested according to ASTM standards for polymers, are approved for food contact and meet FDA (Food and Drug Administration, USA) and HPB (Health Protection Branch, Canada) regulations. Our facilities and rigorous quality control processes have earned us certification under the following standards: ISO 9001, HACCP, IMS, SQF, C-TPAT & ISO 14001 registered management system.

Terms and conditions

For warranties, handling, processing, filling and testing recommendations, please refer to our full terms and conditions sheet available upon request.